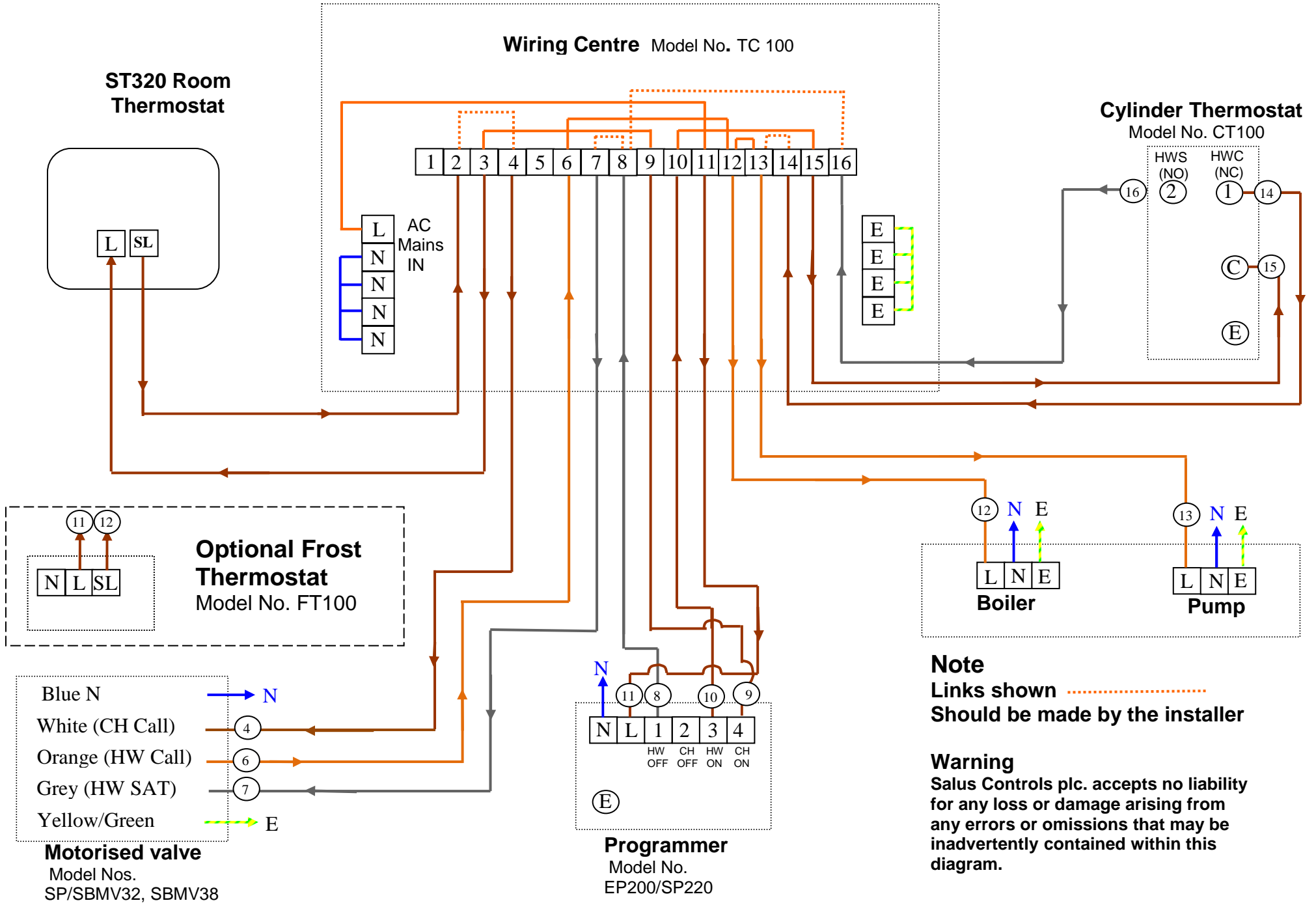


3 Port Motorised Valve System (Y – Plan) with ST320



Wiring Centre Model No. TC 100

ST320 Room Thermostat

Cylinder Thermostat Model No. CT100

Optional Frost Thermostat Model No. FT100

- Blue N → N
- White (CH Call) → 4
- Orange (HW Call) → 6
- Grey (HW SAT) → 7
- Yellow/Green → E

Motorised valve
Model Nos.
SP/SBMV32, SBMV38

Programmer
Model No.
EP200/SP220

Note
Links shown
Should be made by the installer

Warning
Salus Controls plc. accepts no liability
for any loss or damage arising from
any errors or omissions that may be
inadvertently contained within this
diagram.